



STIRRUP

6731/9-001

For flanged tapping saddles



The stainless steel stirrups for flanged tapping saddles are made of high grade stainless steel, and are covered with a rubber profile for optimum protection of the pipe surface. The stirrups are delivered with AISI 304 stainless steel bolts and nuts. Under the nut heads are POM ball joint washers, which enable easy angling of the bolts for optimum flexibility.



Product description:

Stainless steel stirrup for flanged tapping saddles



Features:

- 2 x 55 mm stirrup for mounting on hard surface pipes
- 265 mm stirrup for mounting on PE and oriented PVC pipes, delivered bended to ease assembly
- Anti-galling system with double nut
- Rubber lined to insulate the strap and the pipe
- Stud bolts, nuts and ball joint washers included
- Antifriction coated bolts and nuts

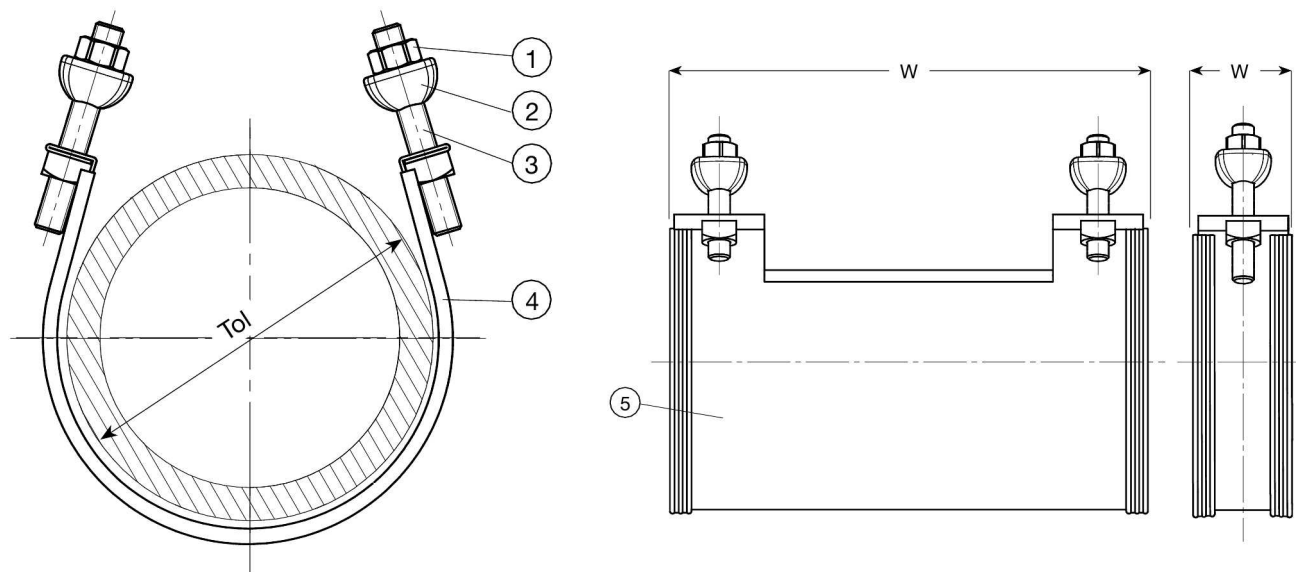


Expect ... **AVR**

STIRRUP

For flanged tapping saddles

6731/9-001



Component list:

1. Nut	Stainless steel 304	4. Lining	EPDM rubber
2. Ball joint washer	POM	5. Stirrup	Stainless steel 304
3. Bolt	Stainless steel 304		

Components may be substituted with equivalent or higher class materials without prior notification.

Reference nos. and dimensions:

AVK ref. no.	Tolerance mm	W mm	Theoretical weight / kg
6731-9-1101 ⁽¹⁾	110 - 125	55	0.5
6731-9-1251 ⁽¹⁾	125 - 140	55	0.5
6731-9-1401 ⁽¹⁾	140 - 160	55	0.5
6731-9-1601 ⁽¹⁾	160 - 180	55	0.6
6731-9-1612	160	265	2.0
6731-9-1801 ⁽¹⁾	180 - 200	55	0.6
6731-9-1812	180	265	2.2
6731-9-2001 ⁽¹⁾	200 - 220	55	0.7
6731-9-2012	200	265	2.0
6731-9-2201 ⁽¹⁾	220 - 245	55	0.7
6731-9-2252	225	265	3.0
6731-9-2451 ⁽¹⁾	245 - 270	55	0.8
6731-9-2502	250	265	3.0
6731-9-2701 ⁽¹⁾	270 - 290	55	0.8
6731-9-2802	280	265	3.3
6731-9-2901 ⁽¹⁾	290 - 315	55	0.9
6731-9-3151 ⁽¹⁾	315 - 335	55	0.9
6731-9-3162	315	265	4.0
6731-9-3351 ⁽¹⁾	335 - 355	55	1.0
6731-9-3552	355	265	4.2

(1) 1 item number = 2 stirrups

The designs, materials and specifications shown are subject to change without notice due to the continuous development of our product range.