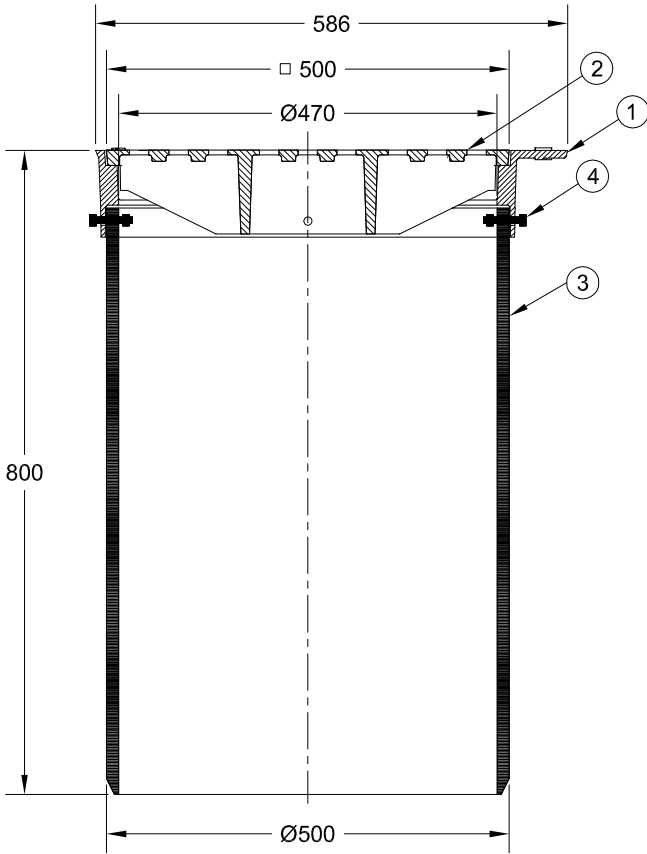
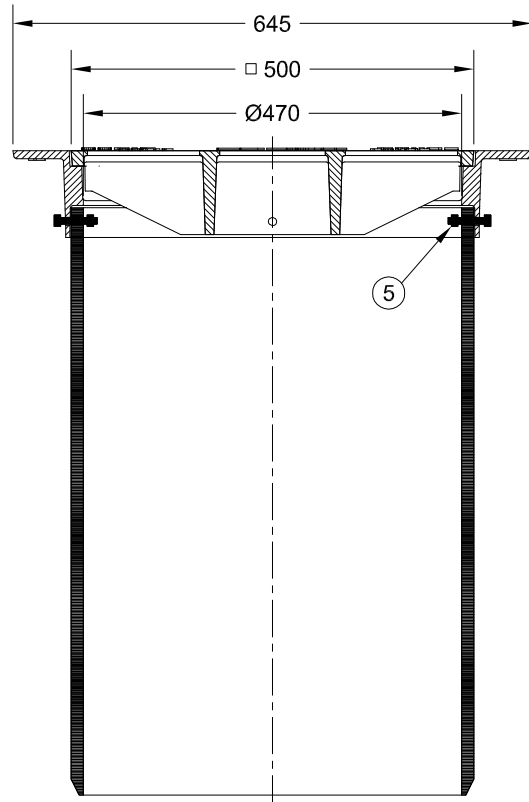


**PLAN VIEW**



**SECTIONAL VIEW  
X-X**



**SECTIONAL VIEW  
Y-Y**

**BOM**

UNLESS OTHERWISE SPECIFIED:  
DIMENSIONS ARE IN MILLIMETERS  
SURFACE FINISH:  
TOLERANCE:  
LINEAR:  
ANGULAR:



DEBURR AND  
BREAK SHARP

DO NOT SCALE DRAWING

REVISION

VENDOR MATERIAL NO:  
**2005048G-N**

NO.	Name	Description	Qty
1	3366079-N	500 X 500 FRAME	1
2	3366119-N	500 X 500 GRATE	1
3	PIPE	TELESCOPE PIPE 500 DIA	1
4	BOLT	ASTM A563 GRADE C3	4
5	NUT	ASTM A563 GRADE C3	4

NAME	SIGNATURE	DATE
DRAWN		
CHK'D		
APP'D		
MFG		
O.A.		

MATERIAL:  
EN GJL 500/7

WEIGHT:

TITLE:

**500 X 500 HD FRAME & GRATE**

DWG NO.

**3366079/119-N**

**A3**

SCALE: NTS

SHEET 1 OF 1