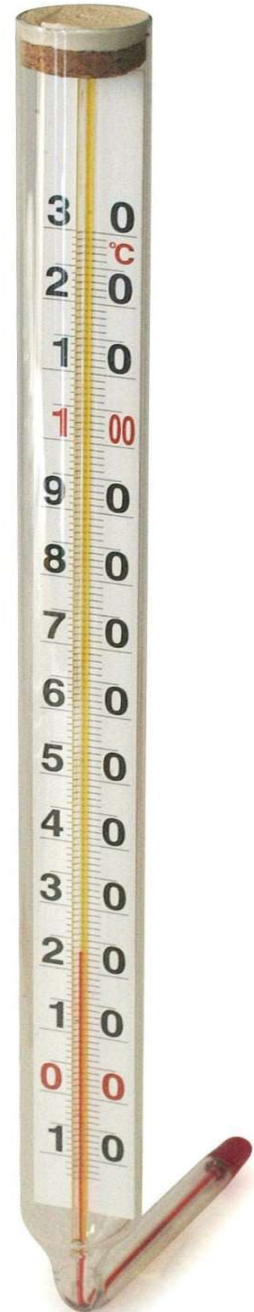
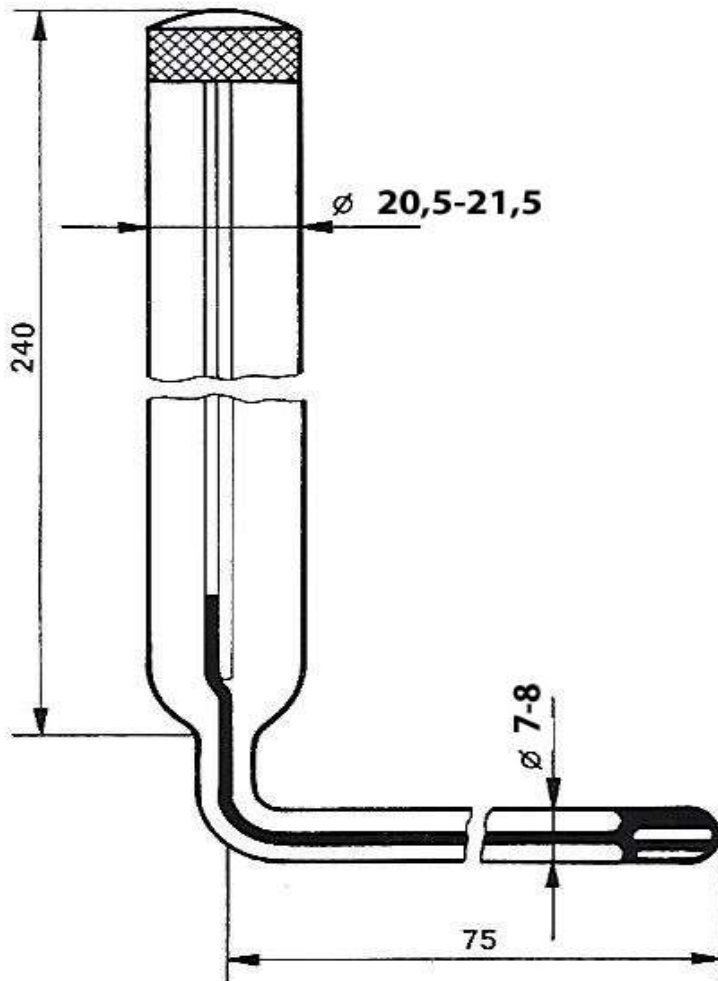




TECHNICAL SPECIFICATION

Measuring range	0..+120°C
Material	Glass tube Metal scale
Filling	Coloured petroleum
Angle	90°
Immersion depth	75 mm
Mounting	Total immersion of the lower part is necessary to reach a good accuracy.
Capillary	White backed, prismatic
Accuracy	±1°C
Graduation	1/1°
A proof of quality printed on the back side of the scale: TARKISTETTU SUOMEN LÄMPÖMITTARI OY	





Suomen Lämpömittari Oy