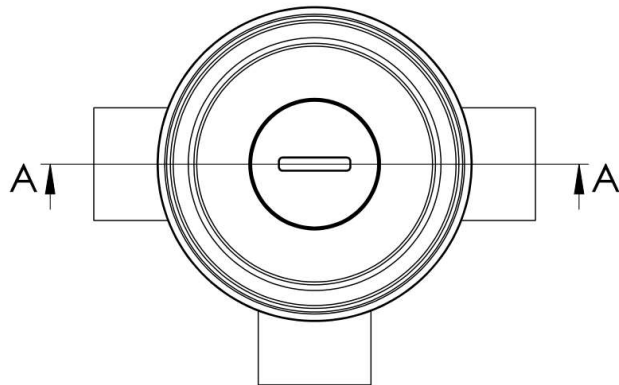
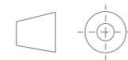


CUTVIEW A-A  
ASPECT RATIO 1:5



PART	DRAWING NUMBERS	PRODUCT NAME	PCS.
1	JPK101-3001	WELL	1
2	JPK101-3002	CAP	1

GENERAL TOLERANCE  
ISO 2768-m



WEIGHT  
3.24 kg

**HYBRID SYSTEM OÜ**

DRAWING NUMBERS  
JPK101-1001