

EAN: 6414150078521

www.oras.com/en/products/oras/product/1008



Washbasin faucet with Bidetta hand shower. Fixed spout, aerator and pop-up waste. Shower hose 1.75 m, wall bracket. There are also in-built limitation options for water temperature and maximum flow-rate.

- Bathroom
- Single lever, Bidetta
- Deck mounted
- Chrome
- Fixed spout
- Pop-up waste with draw-rod
- shower holder, shower hose (1750 mm)
- Bidetta hand shower
- Limitation option for maximum flow-rate
- adjustable mix water temperature
- 3S-installation system for safe and simple mounting

Technical data

Flow properties

Flow-rate at 300 kPa	0.15 l/s
Pressure loss with flow (0.1 l/s)	130 kPa

Technical properties

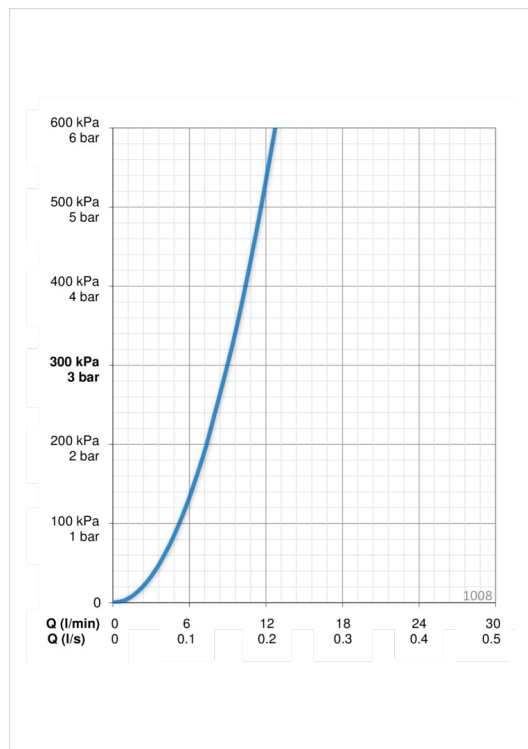
Hot water supply	max. +80°C
Working pressure	50 - 1000 kPa
Connection size	Ø10 mm
Projection	107 mm
Material	brass

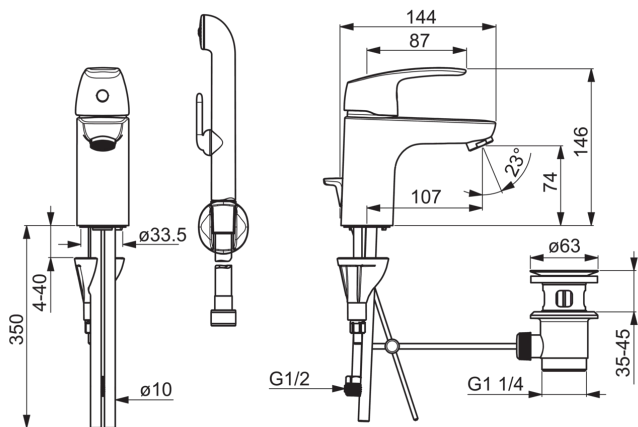
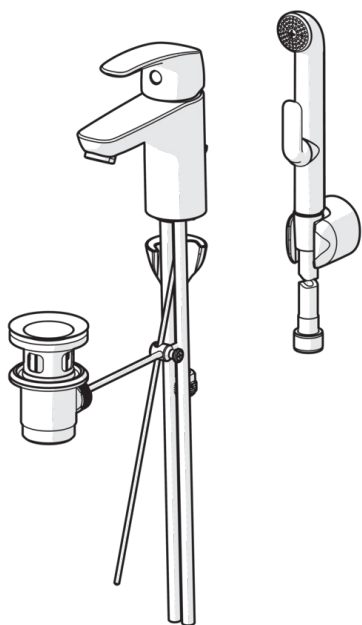
Regulations

EN standard	EN 817
Noise class	I (ISO 3822)

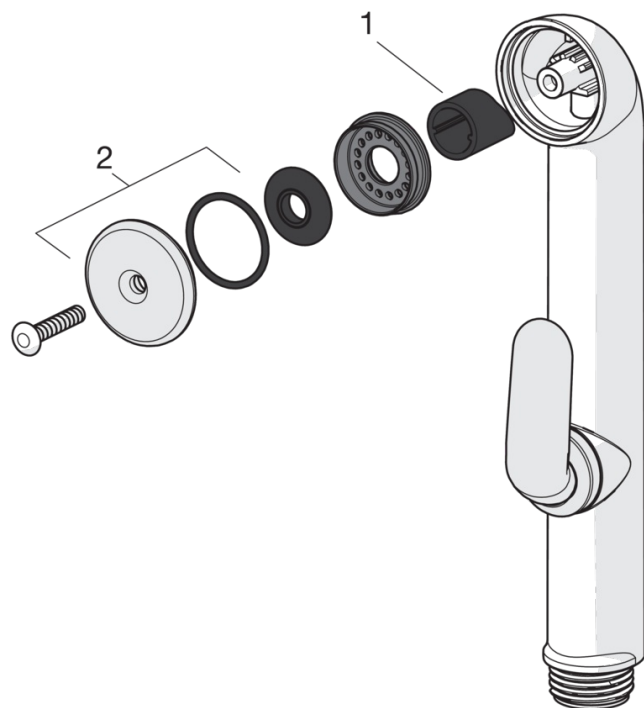
Type approvals

STF certificate	VTT-RTH-00090-17
KIWA SE	1490



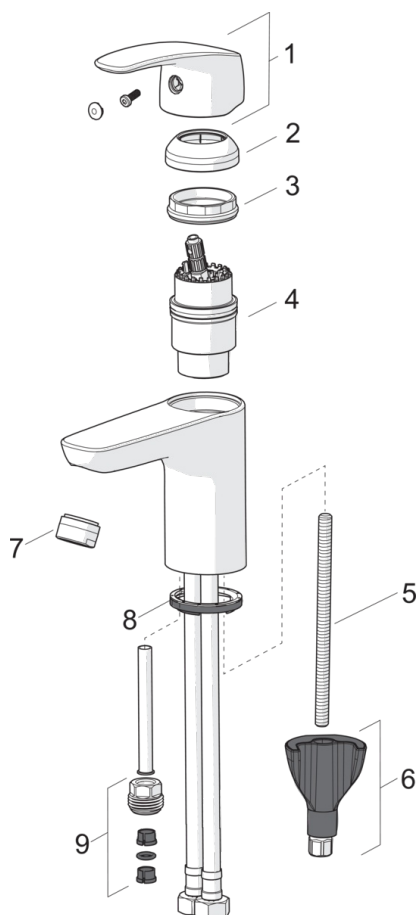


Spare parts



SP0035

	Code
01	249302/10
02	249690



SP1012F

	Code
01	602502V
02	1000664V
03	158726
04	158890
05	1000780V
06	602610V
07	232211
08	601971V
09	159684