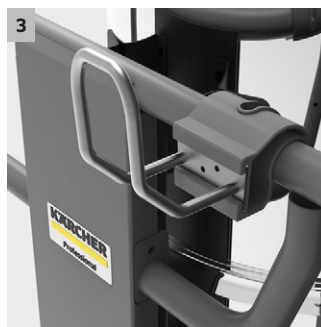
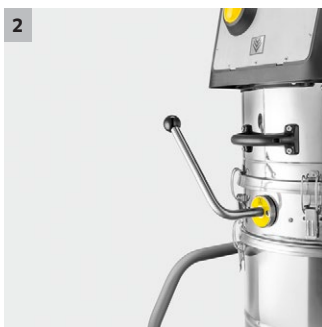




IVM 60/36 -3

3-motor, mobile and robust middle-class industrial vacuum cleaner IVM 60/36-3 for universal use in industry for fine and coarse solid materials. With star filter in dust class M.



1 Fitted with three blower motors

- Powerful machine with highest possible cleaning performance in single-phase power network.

2 Manual filter vibration for low operating costs

- Extends the service life of the continuous filter, thus reducing the maintenance effort.

3 User-friendly machine handling

- Hose hook and accessory storage for simple storage and carrying.
- All hooks can be hung freely on the machine via a clip system.



IVM 60/36 -3

- Anti-static equipment
- Extra-large filter area
- Robust wheels and castors

Technical data

Order no.	1.573-320.0	
EAN code	4054278325668	
Supply voltage	Ph / V / Hz	1 / 220 - 240 / 50 - 60
Air flow	l/s / m³/h	221 / 799
Vacuum	mbar / kPa	254 / 25.4
Container content	l	60
Rated input power	kW	3.6
Vacuuming type	Electric	
Filter areas	m²	2.2
Connection nominal diameter	ID 70	
Accessory nominal diameter	ID 70 / ID 50 / ID 40	
Sound pressure level	dB(A)	79
Weight	kg	68
Dimensions (L x W x H)	mm	1020 × 680 × 1490

Equipment

Accessories included in the scope of delivery	no
--	----

IVM 60/36 -3 1.573-320.0



		Order no.	Quantity	ID	Length / width	Price	Description	
Accessories adapter								
Adapter accessories DN 50 to DN 51	1	9.989-603.0		DN 50			Steel adapter for connection of DN 50 to DN 51. Electroconductive.	<input type="checkbox"/>
Adapter accessories DN 51 to DN 50	2	9.989-601.0		DN 50			Steel adapter for connection of DN 51 to DN 50. Electroconductive.	<input type="checkbox"/>
Adapter accessories DN50 to DN61	3	9.989-602.0		DN 50			Steel adapter for connection of DN 50 to DN 61. Electroconductive.	<input type="checkbox"/>
Adapter accessories DN 61 to DN 50	4	9.989-604.0		DN 50			Steel adapter for connection of DN 61 to DN 50. Electroconductive.	<input type="checkbox"/>
Reducers/expanders								
Reduction DN70 to DN50	5	9.977-772.0		DN 70				<input type="checkbox"/>
Reduction DN70 to DN40	6	9.989-690.0		DN 70			Electroconductive steel reducer for reduction from DN 70 to DN 40.	<input type="checkbox"/>
Reduction DN50 to DN40	7	9.981-231.0		DN 50			Reducer from DN 50 to DN 40. Material: Steel. Electroconductive.	<input type="checkbox"/>
Stainless steel reducer DN 70 to DN 50	8	9.989-712.0		DN 70				<input type="checkbox"/>
Stainless steel reducer DN 70 to DN 40	9	9.989-713.0		DN 70				<input type="checkbox"/>
Reduction in AISI 304 stainless steel	10	9.989-893.0		DN 50				<input type="checkbox"/>
Expander								
Expansion DN50 to DN70	11	9.981-921.0		DN 50			Reducer from external cone DN 50 to internal cone DN 70. Material: Steel. Electroconductive.	<input type="checkbox"/>
Distributor								
Y-piece fitting DN70 to DN50	12	9.989-611.0		DN 70			Electroconductive steel fitting, DN 70/DN 50 / DN 50.	<input type="checkbox"/>
AISI 304 stainless steel manifold	13	9.989-894.0		ID 50 mm				<input type="checkbox"/>
	14	9.989-895.0		ID 40 mm				<input type="checkbox"/>
PVC								
Hose PVC DN40 3 m	15	9.989-647.0		DN 40			PVC hose, DN 50. Temperature-resistant up to 85 °C and electroconductive. Length: 3 m.	<input type="checkbox"/>
Hose PVC DN40 5 m	16	9.989-614.0		DN 40			Electroconductive PVC hose, DN 40. Temperature-resistant up to 85 °C. Length: 5 m.	<input type="checkbox"/>
PVC hose DN40 15 m without connectors	17	9.989-633.0		DN 40			PVC hose without tap adapter, DN 40. Electroconductive and temperature-resistant up to 85 °C. Length: 15 m.	<input type="checkbox"/>
Hose PVC DN50 3 m	18	9.989-615.0		DN 50			Electroconductive PVC hose, DN 50. Temperature-resistant up to 85 °C. Length: 3 m.	<input type="checkbox"/>
Hose PVC DN50 5 m	19	9.989-616.0		DN 50			Electroconductive PVC hose, DN 50. Temperature-resistant up to 85 °C. Length: 5 m.	<input type="checkbox"/>
PVC hose DN50 15 m without connectors	20	9.989-634.0		DN 50			PVC hose without tap adapter, DN 50. Electroconductive and temperature-resistant up to 85 °C. Length: 15 m.	<input type="checkbox"/>
Hose PVC DN70 3 m	21	9.989-635.0		DN 70			Electroconductive PVC hose, DN 70. Temperature-resistant up to 85 °C. Length: 3 m.	<input type="checkbox"/>
Hose PVC DN70 5 m	22	9.989-643.0		DN 70			PVC hose, DN 70. Temperature-resistant up to 85 °C and electroconductive. Length: 5 m.	<input type="checkbox"/>
PVC hose DN70 15 m without connectors	23	9.989-636.0		DN 70			PVC hose without tap adapter, DN 70. Electroconductive and temperature-resistant up to 85 °C. Length: 15 m.	<input type="checkbox"/>
Hose PVC DN40 1 m	24	9.989-626.0		DN 40			Electroconductive PVC hose, DN 40. Temperature-resistant up to 85 °C. Length: 1 m.	<input type="checkbox"/>

Available accessories.

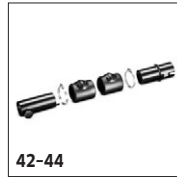
IVM 60/36 -3 1.573-320.0



29-30, 32-33, 35-36



31, 34, 37



42-44



47-48, 50-51, 53



49, 52

		Order no.	Quantity	ID	Length / width	Price	Description	
Hose PVC DN40 3 m	25	9.989-962.0		ID 40 mm				<input type="checkbox"/>
Hose PVC DN40 5 m	26	9.989-963.0		ID 50 mm				<input type="checkbox"/>
Hose PVC DN50 3 m	27	9.989-964.0		ID 50 mm				<input type="checkbox"/>
Hose PVC DN50 5 m	28	9.989-965.0		ID 50 mm				<input type="checkbox"/>
EVA								
Hose EVA NW40 3 m	29	9.988-088.0		DN 40			Electroconductive hose with NW 40. Suitable for temperatures up to 65°C. Length: 3 m.	<input type="checkbox"/>
Hose EVA NW40 5 m	30	9.988-089.0		DN 40			Five-metre-long, electroconductive hose with NW 40. Suitable for temperatures up to 65°C. Length: 5 m.	<input type="checkbox"/>
EVA hose DN40 15 m without connectors	31	9.989-630.0		DN 40			EVA hose without tap adapter, DN 40. Electroconductive and temperature-resistant up to 65 °C. Length: 15 m.	<input type="checkbox"/>
Hose EVA NW50 3 m	32	9.988-090.0		DN 50			Electroconductive hose with NW50. Suitable for temperatures up to 65°C. Length: 3 m.	<input type="checkbox"/>
Hose EVA NW50 5 m	33	9.988-091.0		DN 50				<input type="checkbox"/>
EVA hose DN50 15 m without connectors	34	9.989-631.0		DN 50			EVA hose without tap adapter, DN 50. Electroconductive and temperature-resistant up to 65 °C. Length: 15 m.	<input type="checkbox"/>
Hose EVA DN70 3 m	35	9.989-613.0		DN 70			Electroconductive EVA hose, DN 70. Temperature-resistant up to 65 °C. Length: 3 m.	<input type="checkbox"/>
Hose EVA DN70 5 m	36	9.989-624.0		DN 70			Electroconductive EVA hose, DN 70. Temperature-resistant up to 65 °C. Length: 5 m.	<input type="checkbox"/>
EVA hose DN70 15 m without connectors	37	9.989-632.0		DN 70			EVA hose without tap adapter, DN 70. Electroconductive and temperature-resistant up to 65 °C. Length: 15 m.	<input type="checkbox"/>
Hose EVA DN40 3 m	38	9.989-982.0		ID 40 mm				<input type="checkbox"/>
Hose EVA DN40 5 m	39	9.989-983.0		ID 40 mm				<input type="checkbox"/>
Hose EVA DN50 3 m	40	9.989-984.0		ID 50 mm				<input type="checkbox"/>
Hose EVA DN50 5 m	41	9.989-985.0		ID 50 mm				<input type="checkbox"/>
Hose installation set								
Hose installation kit DN40	42	9.989-627.0		DN 40			Multipiece hose connection set, DN 40.	<input type="checkbox"/>
Hose installation kit DN50	43	9.989-628.0		DN 50			Multipiece hose connection kit, DN 50.	<input type="checkbox"/>
Hose installation kit DN70	44	9.989-629.0		DN 70			Multipiece hose connection kit, DN 70.	<input type="checkbox"/>
Hose connection kit DN40	45	9.989-986.0		ID 40 mm				<input type="checkbox"/>
Hose connection kit DN50	46	9.989-987.0		ID 50 mm				<input type="checkbox"/>
PU								
Hose PU DN40 3 m	47	9.989-617.0		DN 40			Oil-resistant, electroconductive PU hose, DN 40. Suitable for abrasive suction media and temperature-resistant up to 80 °C. Length: 3 m.	<input type="checkbox"/>
Hose PU DN40 5 m	48	9.989-618.0		DN 40			Oil-resistant, electroconductive PU hose, DN 40. Suitable for abrasive suction media and temperature-resistant up to 80 °C. Length: 5 m.	<input type="checkbox"/>
PU hose DN40 15 m without connectors	49	9.989-637.0		DN 40			PU hose without tap adapter, DN 40. Electroconductive and temperature-resistant up to 80 °C. Length: 15 m.	<input type="checkbox"/>
Hose PU DN50 3 m	50	9.989-619.0		DN 50			Oil-resistant, electroconductive PU hose, DN 50. Suitable for abrasive suction media and temperature-resistant up to 80 °C. Length: 3 m.	<input type="checkbox"/>
Hose PU DN50 5 m	51	9.989-620.0		DN 50			Oil-resistant, electroconductive PU hose, DN 50. Suitable for abrasive suction media and temperature-resistant up to 80 °C. Length: 5 m.	<input type="checkbox"/>
PU hose DN50 15 m without connectors	52	9.989-638.0		DN 50			PU hose without tap adapter, DN 50. Electroconductive and temperature-resistant up to 80 °C. Length: 15 m.	<input type="checkbox"/>
Hose PU DN70 3 m	53	9.989-644.0		DN 70			Oil-resistant, electroconductive PU hose, DN 70. Temperature-resistant up to 80 °C, suitable for abrasive suction media. Length: 3 m.	<input type="checkbox"/>

Available accessories.

IVM 60/36 -3 1.573-320.0



54



55



72



73



74



75-76



82



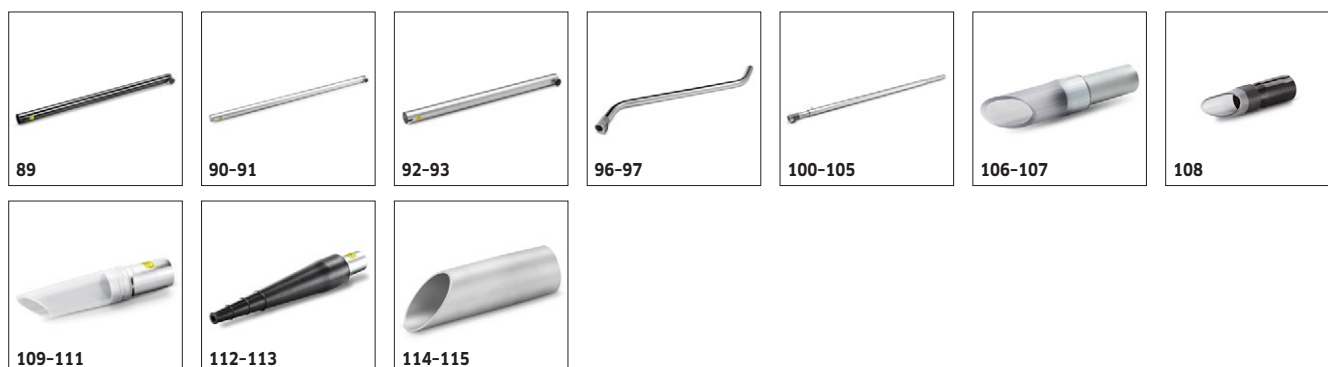
87-88

	Order no.	Quantity	ID	Length / width	Price	Description	
Hose PU DN70 5 m	54 9.989-645.0		DN 70			Oil-resistant, electroconductive PU hose, DN 70. Temperature-resistant up to 80 °C, suitable for abrasive suction media. Length: 5 m.	<input type="checkbox"/>
PU hose DN70 15 m without connectors	55 9.989-639.0		DN 70			PU hose without tap adapter, DN 70. Electroconductive and temperature-resistant up to 85 °C. Length: 15 m.	<input type="checkbox"/>
Hose PU DN40 3 m	56 9.989-966.0		ID 40 mm				<input type="checkbox"/>
Hose PU DN40 5 m	57 9.989-967.0		ID 40 mm				<input type="checkbox"/>
Hose PU DN50 3 m	58 9.989-968.0						<input type="checkbox"/>
Hose PU DN50 5 m	59 9.989-969.0		ID 50 mm				<input type="checkbox"/>
Hose PU FDA DN40 3 m	60 9.989-970.0		ID 40 mm				<input type="checkbox"/>
Hose PU FDA DN40 5 m	61 9.989-971.0		ID 40 mm				<input type="checkbox"/>
Hose PU FDA DN40 15 m	62 9.989-972.0		ID 40 mm				<input type="checkbox"/>
Hose PU FDA DN50 3 m	63 9.989-973.0		ID 50 mm				<input type="checkbox"/>
Hose PU FDA DN50 5 m	64 9.989-974.0		ID 50 mm				<input type="checkbox"/>
Hose PU FDA DN50 15 m	65 9.989-975.0		ID 50 mm				<input type="checkbox"/>
ME-PU							
Hose ME DN40 3 m	66 9.989-976.0		ID 40 mm				<input type="checkbox"/>
Hose ME DN40 5 m	67 9.989-977.0		ID 40 mm				<input type="checkbox"/>
Hose without connection ME DN40 15 m	68 9.989-978.0		ID 40 mm				<input type="checkbox"/>
Hose ME DN50 3 m	69 9.989-979.0		ID 50 mm				<input type="checkbox"/>
Hose ME DN50 5 m	70 9.989-980.0		ID 50 mm				<input type="checkbox"/>
Hose without connection ME DN50 15 m	71 9.989-981.0		ID 50 mm				<input type="checkbox"/>
Handles							
Handle DN 40	72 9.977-679.0		DN 40			45° curved and electroconductive handle made from stainless steel. Inner cone DN 40.	<input type="checkbox"/>
Handle DN 50	73 9.977-678.0		DN 50			Electroconductive and 45° curved handle made from stainless steel. Inner cone DN 50.	<input type="checkbox"/>
Handle DN 70	74 9.977-677.0		DN 70				<input type="checkbox"/>
Stainless steel handle NW40	75 9.989-036.0		DN 40			Curved and electroconductive handle made from stainless steel. Angle 45°, inner cone NW 40.	<input type="checkbox"/>
Stainless steel handle NW50	76 9.988-111.0		DN 50			Curved and electroconductive handle made from stainless steel. Angle 45°, inner cone NW 50.	<input type="checkbox"/>
Elbow aluminium 45° DN40	77 9.989-544.0					45° curved handle made from aluminium, DN 40.	<input type="checkbox"/>
Elbow aluminium 45° DN50	78 9.989-547.0					Handle with 45° bend. Made from aluminium, DN 50.	<input type="checkbox"/>
Handle stainless steel AISI 304	79 9.989-896.0		ID 40 mm				<input type="checkbox"/>
	80 9.989-897.0		ID 50 mm				<input type="checkbox"/>
Handle straight stainless steel AISI 304	81 9.989-898.0		ID 40 mm				<input type="checkbox"/>
	82 9.989-899.0		ID 50 mm				<input type="checkbox"/>
Handle carbon DN-F40	83 9.989-916.0		ID 40 mm				<input type="checkbox"/>
Handle carbon DN-F50	84 9.989-917.0		ID 50 mm				<input type="checkbox"/>
Handle carbon 110° DN-F40	85 9.989-918.0		ID 40 mm				<input type="checkbox"/>
Handle carbon 110° DN-F50	86 9.989-919.0		ID 50 mm				<input type="checkbox"/>
Suction tubes							
Suction tube 850 mm DN 40	87 9.977-525.0		DN 40			Steel extension tube, electroconductive, DN 40. Length: 850 mm.	<input type="checkbox"/>
	88 9.977-531.0		DN 50			850 mm long extension tube made from steel. Electroconductive and with inner cone DN 50.	<input type="checkbox"/>

Available accessories.

IVM 60/36 -3 1.573-320.0

KÄRCHER



		Order no.	Quantity	ID	Length / width	Price	Description	
Suction tube 850 mm DN 70	89	9.981-910.0		DN 70			Electroconductive extension tube, internal cone DN 70, 750 mm total length.	<input type="checkbox"/>
Aluminium suction tube 1500 mm NW40	90	9.989-038.0		DN 40			Stainless steel extension tube, electroconductive, NW 50. Length: 1500 mm.	<input type="checkbox"/>
Aluminium suction tube 1500 mm NW50	91	9.989-035.0		DN 50			Curved and electroconductive extension tube made from stainless steel. Angle 45°, inner cone NW 50.	<input type="checkbox"/>
Stainless steel suction tube 850 mm NW40	92	9.989-039.0		DN 40			Stainless steel extension tube, electroconductive, NW 40. Length: 850 mm.	<input type="checkbox"/>
Stainless steel suction tube 850 mm NW50	93	9.988-114.0		DN 50			Electroconductive extension tube made from stainless steel. Inner cone NW 50.	<input type="checkbox"/>
Carbon suction tube 1500 mm DN40	94	9.989-552.0		DN 40			Very light carbon extension tube, electroconductive, DN 40. Length: 1500 mm.	<input type="checkbox"/>
Carbon suction tube 1500 mm DN50	95	9.989-553.0		DN 50			Electroconductive, very light carbon extension tube. Inner cone DN 50, 1500 mm long.	<input type="checkbox"/>
Suction tube stainless steel AISI 304 DN	96	9.989-912.0		ID 40 mm				<input type="checkbox"/>
	97	9.989-913.0		ID 50 mm				<input type="checkbox"/>
Suction tube carbon 1500 mm DN-F40	98	9.989-920.0		ID 40 mm				<input type="checkbox"/>
Suction tube carbon 1500 mm DN-F50	99	9.989-921.0		ID 50 mm				<input type="checkbox"/>
Suction tube aluminium high temperature	100	9.989-928.0		ID 40 mm				<input type="checkbox"/>
	101	9.989-929.0		ID 50 mm				<input type="checkbox"/>
	102	9.989-930.0		ID 40 mm				<input type="checkbox"/>
	103	9.989-931.0		ID 50 mm				<input type="checkbox"/>
	104	9.989-932.0		ID 40 mm				<input type="checkbox"/>
	105	9.989-933.0		ID 50 mm				<input type="checkbox"/>
Standard nozzles								
Standard PVC nozzle DN40	106	9.989-674.0		DN 40			Electroconductive standard PVC nozzle. DN 40.	<input type="checkbox"/>
Standard PVC nozzle DN50	107	9.989-673.0		DN 50			Electroconductive standard PVC nozzle. DN 50.	<input type="checkbox"/>
Standard PVC nozzle DN70	108	9.989-676.0		DN 70			Electroconductive standard PVC nozzle. DN 70.	<input type="checkbox"/>
Standard nozzle silicone DN40	109	9.988-401.0		DN 40			Stretchy standard nozzle made from silicone, inner cone DN 40.	<input type="checkbox"/>
Standard nozzle silicone DN50	110	9.988-402.0		DN 50				<input type="checkbox"/>
Standard silicone nozzle DN70	111	9.989-672.0		DN 70			Electroconductive standard silicone nozzle. DN 70.	<input type="checkbox"/>
Standard nozzle cuttable rubber DN40	112	9.989-677.0		DN 40			Standard nozzle, electroconductive, made from cuttable rubber. DN 40.	<input type="checkbox"/>
Standard nozzle cuttable rubber DN50	113	9.989-675.0		DN 50			Standard nozzle, electroconductive, made from cuttable rubber. DN 50.	<input type="checkbox"/>
Standard aluminium nozzle DN40	114	9.980-748.0		DN 40			Diagonal nozzle made from anodised aluminium, electroconductive, DN 40.	<input type="checkbox"/>
Standard aluminium nozzle DN50	115	9.980-749.0		DN 50			Diagonal nozzle made from anodised aluminium, electroconductive, DN 50.	<input type="checkbox"/>
Standard aluminium nozzle DN70	116	9.989-663.0		DN 70			Standard nozzle made from aluminium. Electroconductive. DN 70.	<input type="checkbox"/>

Available accessories.

IVM 60/36 -3 1.573-320.0

KÄRCHER

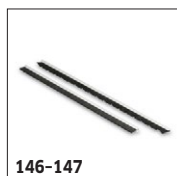


		Order no.	Quantity	ID	Length / width	Price	Description	
Standard nozzle silicon FDA blue DN-F40	117	9.989-835.0		ID 40 mm				<input type="checkbox"/>
Standard nozzle silicon FDA green DN-F40	118	9.989-836.0		ID 40 mm				<input type="checkbox"/>
Standard nozzle silicon FDA red DN-F40	119	9.989-837.0		ID 40 mm				<input type="checkbox"/>
Standard nozzle silicon FDA transparent	120	9.989-838.0		ID 40 mm				<input type="checkbox"/>
Standard nozzle silicon FDA white DN-F40	121	9.989-839.0		ID 40 mm				<input type="checkbox"/>
Standard nozzle silicon FDA yellow DN-F4	122	9.989-840.0		ID 40 mm				<input type="checkbox"/>
Standard nozzle silicon FDA blue DN-F50	123	9.989-841.0		ID 50 mm				<input type="checkbox"/>
Standard nozzle silicon FDA green DN-F50	124	9.989-842.0		ID 50 mm				<input type="checkbox"/>
Standard nozzle silicon FDA red DN-F50	125	9.989-843.0		ID 50 mm				<input type="checkbox"/>
Standard nozzle silicon FDA transparent	126	9.989-844.0		ID 50 mm				<input type="checkbox"/>
Standard nozzle silicon FDA white DN-F50	127	9.989-845.0		ID 50 mm				<input type="checkbox"/>
Standard nozzle silicon FDA yellow DN-F5	128	9.989-846.0		ID 50 mm				<input type="checkbox"/>
Flexible standard nozzles								
Standard nozzle flexible PVC DN40	129	9.981-420.0		DN 40			Electroconductive, flexible round nozzle made from galvanised steel, with rubber mouthpiece DN 30.	<input type="checkbox"/>
Standard nozzle flexible PVC DN50	130	9.981-421.0		DN 50			Electroconductive, flexible round nozzle made from galvanised steel, DN 50, with rubber mouthpiece DN 30.	<input type="checkbox"/>
Standard nozzle flexible PVC DN70	131	9.981-422.0		DN 70			Flexible, electroconductive standard nozzle, DN 70, with rubber mouthpiece.	<input type="checkbox"/>
Standard nozzle, flexible, angled 90° PP DN40	132	9.981-429.0		DN 40			Flexible, electroconductive angled nozzle, DN 40, length: 800 mm.	<input type="checkbox"/>
Standard nozzle, flexible, angled 90° PP DN50	133	9.981-430.0		DN 50			Flexible, electroconductive angled nozzle, DN 50, length: 800 mm.	<input type="checkbox"/>
Floor nozzles								
Aluminium floor nozzle 370 mm DN40	134	9.989-683.0		DN 40			Floor nozzle, 370 mm, made from aluminium. DN 40.	<input type="checkbox"/>
Aluminium floor nozzle, el, 370 mm, DN40	135	9.989-682.0		DN 40			Floor nozzle, 370 mm, made from aluminium. Electroconductive. DN 40.	<input type="checkbox"/>
Aluminium floor nozzle 200 mm DN50	136	9.981-426.0		DN 50			Floor nozzle, DN 50, with 200 mm suction width.	<input type="checkbox"/>
Aluminium floor nozzle 370 mm DN50	137	9.989-664.0		DN 50			Floor nozzle. 370 mm, made from aluminium. Electroconductive. DN 50.	<input type="checkbox"/>
Aluminium floor nozzle, el, 370 mm, DN50	138	9.987-612.0		DN 50			Electroconductive multi-purpose floor nozzle. 370 mm wide, DN 50.	<input type="checkbox"/>
Aluminium floor nozzle 500 mm DN50	139	9.989-684.0		DN 50			Floor nozzle, 500 mm, made from aluminium. Electroconductive. DN 50.	<input type="checkbox"/>
Aluminium floor nozzle, el, 500 mm, DN50	140	9.981-925.0		DN 50			Floor nozzle with 500 mm suction width and hinge. DN 50, electroconductive.	<input type="checkbox"/>
Stainless steel floor nozzle el 370 mm DN40	141	9.989-558.0		DN 40			Multi-purpose floor nozzle (370 mm), electroconductive, DN 40.	<input type="checkbox"/>

Available accessories.

IVM 60/36 -3

1.573-320.0



		Order no.	Quantity	ID	Length / width	Price	Description	
Stainless steel floor nozzle el. 370 mm DN50	142	9.988-115.0		DN 50			Floor nozzle (370 mm) made from stainless steel, electroconductive, DN 50.	<input type="checkbox"/>
Floor nozzle rubber strip oil-resistant, 220 mm	143	9.981-923.0					Squeegee with plastic strip for floor nozzle, 220 mm wide.	<input type="checkbox"/>
Floor nozzle rubber strip 370 mm	144	9.981-914.0					Squeegee with profiled strip for floor nozzle, 370 mm wide.	<input type="checkbox"/>
Floor nozzle rubber strip 500 mm	145	9.981-915.0					Oil-resistant squeegee with profiled strip for floor nozzle, 500 mm wide.	<input type="checkbox"/>
Floor nozzle brush strip el. 370 mm	146	9.984-939.0					Electroconductive squeegee for floor nozzle, 370 mm wide.	<input type="checkbox"/>
Floor nozzle brush strip 500 mm	147	9.980-764.0					Brush strip set for floor nozzle 500 mm, with profiled strip.	<input type="checkbox"/>
Bottom nozzle stainless steel AISI 316L	148	9.989-861.0		ID 40 mm				<input type="checkbox"/>
Bottom nozzle Edelstahl AISI 316L blue	149	9.989-862.0		ID 50 mm				<input type="checkbox"/>
Floor nozzle stainless steel AISI 316L g	150	9.989-863.0		ID 40 mm				<input type="checkbox"/>
	151	9.989-864.0		ID 50 mm				<input type="checkbox"/>
Floor nozzle stainless steel AISI 316L r	152	9.989-865.0		ID 40 mm				<input type="checkbox"/>
	153	9.989-866.0		ID 50 mm				<input type="checkbox"/>
Floor nozzle stainless steel AISI 316L t	154	9.989-867.0		ID 40 mm				<input type="checkbox"/>
	155	9.989-868.0		ID 50 mm				<input type="checkbox"/>
Floor nozzle stainless steel AISI 316L w	156	9.989-869.0		ID 40 mm				<input type="checkbox"/>
	157	9.989-870.0		ID 50 mm				<input type="checkbox"/>
Floor nozzle stainless steel AISI 316L y	158	9.989-871.0		ID 40 mm				<input type="checkbox"/>
	159	9.989-872.0		ID 50 mm				<input type="checkbox"/>
Floor nozzle stainless steel AISI 304 40	160	9.989-914.0		ID 40 mm				<input type="checkbox"/>
	161	9.989-915.0		ID 50 mm				<input type="checkbox"/>
Floor nozzle stainless steel 400 mm DN-F	162	9.989-934.0		ID 40 mm				<input type="checkbox"/>
	163	9.989-935.0		ID 50 mm				<input type="checkbox"/>
Floor nozzle aluminium 400 mm DN-F40	164	9.989-936.0		ID 40 mm				<input type="checkbox"/>
Floor nozzle aluminium 400 mm DN-F50	165	9.989-937.0						<input type="checkbox"/>
Crevice nozzles								
Crevice nozzle PP 15 mm x 145 mm DN40	166	9.988-116.0		DN 40			Electroconductive, flat multi-purpose crevice nozzle made from plastic, DN 42.	<input type="checkbox"/>
Crevice nozzle PP 15 mm x 145 mm DN50	167	9.988-117.0		DN 50			Electroconductive, flat multi-purpose crevice nozzle made from plastic, DN 52.	<input type="checkbox"/>
Crevice nozzle PU 19 mm x 160 mm DN40	168	9.981-483.0		DN 40			Crevice nozzle made from PU, DN 40.	<input type="checkbox"/>
Crevice nozzle PU 22 mm x 175 mm DN50	169	9.981-482.0		DN 50			Crevice nozzle made from PU, DN 50.	<input type="checkbox"/>
Crevice nozzle 17 mm x 120 mm DN40	170	9.989-680.0		DN 40			Electroconductive crevice nozzle, 17 × 120 mm. DN 40.	<input type="checkbox"/>
Crevice nozzle 25 mm x 120 mm DN40	171	9.989-678.0		DN 40			Electroconductive crevice nozzle, 25 × 120 mm. DN 40.	<input type="checkbox"/>
Crevice nozzle 18 mm x 120 mm DN50	172	9.981-442.0		DN 50			Electroconductive crevice nozzle made from sheet steel, DN 50, with 17 mm slot width.	<input type="checkbox"/>
Crevice nozzle 25 mm x 120 mm DN50	173	9.981-465.0		DN 50			Electroconductive crevice nozzle made from sheet steel, DN 50, with 25 mm slot width.	<input type="checkbox"/>
Crevice nozzle 28 mm x 120 mm DN70	174	9.981-444.0		DN 70			Electroconductive crevice nozzle made from sheet steel, DN 70, with 30 mm slot width.	<input type="checkbox"/>

Available accessories.

IVM 60/36 -3 1.573-320.0

KÄRCHER



		Order no.	Quantity	ID	Length / width	Price	Description		
Stainless steel crevice nozzle 17 mm x 120 mm DN40	175	9.989-193.0		DN 40			Crevice nozzle made from stainless steel, DN 50.		<input type="checkbox"/>
Stainless steel crevice nozzle 22 mm x 220 mm DN50	176	9.988-123.0		DN 50			Stainless steel crevice nozzle, DN 42, suitable for use with foods.		<input type="checkbox"/>
Flexible crevice nozzles									
Flexible crevice nozzle silicone 65 mm DN50	177	9.988-403.0		DN 50			Flexible crevice nozzle made from silicone, DN 50.		<input type="checkbox"/>
Flexible crevice nozzle 11 mm x 58 mm DN40	178	9.989-681.0		DN 40			Electroconductive and flexible crevice nozzle, 11 x 58 mm.		<input type="checkbox"/>
Flexible crevice nozzle 20 mm x 45 mm DN40	179	9.981-423.0		DN 40			Flexible and electroconductive crevice nozzle made from galvanised steel with 20 mm slot width, DN 40.		<input type="checkbox"/>
Flexible crevice nozzle 12 mm x 45 mm DN50	180	9.981-424.0		DN 50			Flexible, electroconductive galvanised crevice nozzle, DN 50, with 13 mm slot width.		<input type="checkbox"/>
Flexible crevice nozzle 20 mm x 45 mm DN50	181	9.981-425.0		DN 50			Flexible and electroconductive crevice nozzle made from galvanised steel with 20 mm slot width, DN 50.		<input type="checkbox"/>
Crevice nozzle flexible silicone	182	9.989-847.0		ID 40 mm					<input type="checkbox"/>
Standard nozzle flexible Silikon FDA tra	183	9.989-848.0		ID 50 mm					<input type="checkbox"/>
Surface nozzles									
Silicone surface nozzle 120 mm DN40	184	9.988-118.0		DN 40			Electroconductive rubber nozzle, angled, DN 40, suitable for use with foods.		<input type="checkbox"/>
Silicone surface nozzle 120 mm DN50	185	9.988-119.0		DN 50			Electroconductive rubber nozzle, angled, DN 50, suitable for use with foods.		<input type="checkbox"/>
Aluminium surface nozzle, 150 mm, DN 40	186	9.989-666.0		DN 40			Surface nozzle, 150 mm, made from aluminium. DN 40.		<input type="checkbox"/>
Aluminium surface nozzle 150 mm DN50	187	9.989-665.0		DN 50			Surface nozzle, 150 mm, made from aluminium. DN 50.		<input type="checkbox"/>
Rubber nozzle silikon FDA blue DN-F40	188	9.989-849.0		ID 40 mm					<input type="checkbox"/>
Standard nozzle silikon FDA blue DN-F40	189	9.989-850.0		ID 50 mm					<input type="checkbox"/>
	190	9.989-851.0		ID 40 mm					<input type="checkbox"/>
	191	9.989-852.0		ID 50 mm					<input type="checkbox"/>
	192	9.989-853.0		ID 40 mm					<input type="checkbox"/>
	193	9.989-854.0		ID 50 mm					<input type="checkbox"/>
	194	9.989-855.0		ID 40 mm					<input type="checkbox"/>
	195	9.989-856.0		ID 50 mm					<input type="checkbox"/>
	196	9.989-857.0		ID 40 mm					<input type="checkbox"/>
	197	9.989-858.0		ID 50 mm					<input type="checkbox"/>
	198	9.989-859.0		ID 40 mm					<input type="checkbox"/>
	199	9.989-860.0		ID 50 mm					<input type="checkbox"/>
Borehole nozzles									
Blind hole nozzle DN40	200	9.989-671.0		DN 40			90° curved blind hole nozzle with 60 mm diameter.		<input type="checkbox"/>
Blind hose nozzle angled 60° DN40	201	9.989-669.0		DN 40			90° curved blind hole nozzle with 48 mm diameter. DN 40.		<input type="checkbox"/>
Blind hose nozzle angled 90° DN40	202	9.989-667.0		DN 40			90° curved blind hole nozzle with 60 mm diameter. DN 40.		<input type="checkbox"/>
Blind hose nozzle angled 90° 200 mm extension DN40	203	9.989-670.0		DN 40			90° curved blind hole nozzle with 48 mm diameter. DN 40.		<input type="checkbox"/>
Standard brushes									
Standard brush 40 mm DN40	204	9.981-431.0		DN 40			Flat brush nozzle DN 40.		<input type="checkbox"/>

Available accessories.

IVM 60/36 -3 1.573-320.0



	Order no.	Quantity	ID	Length / width	Price	Description	
Standard brush 40 mm DN50	205	9.981-432.0	DN 50			Flat brush nozzle DN 50.	<input type="checkbox"/>
End brushes							
End brush Ø 82 mm DN40	206	9.989-609.0	DN 40			Electroconductive end brush with 82 mm diameter. DN 40.	<input type="checkbox"/>
End brush Ø 82 mm DN50	207	9.989-608.0	DN 50			Electroconductive end brush with 82 mm diameter. DN 50.	<input type="checkbox"/>
Brush FDA blue ø 75 mm DN-F40	208	9.989-873.0	ID 40 mm				<input type="checkbox"/>
Brush FDA blue ø 75 mm DN-F50	209	9.989-874.0	ID 50 mm				<input type="checkbox"/>
Brush Nozzle FDA ø 75 mm DN-F40 green	210	9.989-875.0	ID 40 mm				<input type="checkbox"/>
Brush FDA green ø 75 mm DN-F50	211	9.989-876.0	ID 50 mm				<input type="checkbox"/>
Brush FDA red ø 75 mm DN-F40	212	9.989-877.0	ID 40 mm				<input type="checkbox"/>
Brush FDA red ø 75 mm DN-F50	213	9.989-878.0	ID 50 mm				<input type="checkbox"/>
Brush FDA white ø 75 mm DN-F40	214	9.989-879.0	ID 40 mm				<input type="checkbox"/>
Brush FDA white ø 75 mm DN-F50	215	9.989-880.0	ID 50 mm				<input type="checkbox"/>
Brush FDA yellow ø 75 mm DN-F40	216	9.989-881.0	ID 40 mm				<input type="checkbox"/>
Brush FDA yellow ø 75 mm DN-F50	217	9.989-882.0	ID 50 mm				<input type="checkbox"/>
Surface brushes							
Surface brush PP 24 mm DN40	218	9.989-610.0	DN 40			Electroconductive surface brush. DN 40.	<input type="checkbox"/>
Surface brush 300 mm DN40	219	9.981-911.0	DN 40			Vacuum brush, 300 mm, with 45° connection, with star screw, horsehair bristles.	<input type="checkbox"/>
Surface brush 300 mm DN50	220	9.981-912.0	DN 50				<input type="checkbox"/>
Cylinder brushes							
Cylinder brush ø 100 mm F-DN40	221	9.989-922.0	ID 40 mm				<input type="checkbox"/>
Cylinder brush ø 200 mm F-DN40	222	9.989-923.0	ID 40 mm				<input type="checkbox"/>
Cylinder brush ø 300 mm F-DN40	223	9.989-924.0	ID 40 mm				<input type="checkbox"/>
Cylinder brush ø 100 mm F-DN50	224	9.989-925.0	ID 50 mm				<input type="checkbox"/>
Cylinder brush ø 200 mm F-DN50	225	9.989-926.0	ID 50 mm				<input type="checkbox"/>
Cylinder brush ø 300 mm F-DN50	226	9.989-927.0	ID 50 mm				<input type="checkbox"/>
Liquids/swarf							
Kit oven cleaning DN50	227	9.989-938.0	ID 50 mm				<input type="checkbox"/>
Kit oven cleaning DN40	228	9.989-939.0	ID 40 mm				<input type="checkbox"/>
Kit food DN40	229	9.989-940.0	ID 40 mm				<input type="checkbox"/>
Kit food DN50	230	9.989-941.0	ID 40 mm				<input type="checkbox"/>
Solids/dusts							
Standard kit solids/dusts DN 50	231	9.989-662.0	DN 50			For industrial vacuum: comprehensive accessory kit, DN 50. Suitable for solid matter and dust.	<input type="checkbox"/>
Kit overhead cleaning DN40	232	9.989-942.0	ID 40 mm				<input type="checkbox"/>
Kit overhead cleaning DN50	233	9.989-943.0	ID 50 mm				<input type="checkbox"/>

Available accessories.