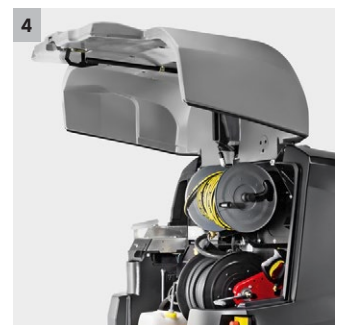
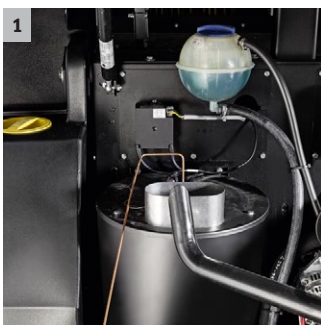




HDS 17/20 De Tr1

Self-sufficient and mobile: the HDS 17/20 hot water high-pressure cleaner works without power source at pressures of 200 bar. The highly-efficient HDS Trailer is suitable for the municipal sector, industry and construction.



1 Maximum efficiency

- Proven and highly efficient burner technology.
- Heat recovery through use of waste heat from the engine.

2 Easy operation

- The machine is easy to operate using a central selector switch.
- Easy to set up and dismantle thanks to two optional hose reels in the control area.

3 Self-sufficient application

- Large 500 l water tank for up to 30-minute cleaning applications with full water performance.
- With 100 l diesel tank - ideal for long work assignments.

4 High flexibility

- Thanks to its configurability, each trailer can be custom-made according to customer requests.
- Available as Skid or Cab variant for mobile application as a trailer or as a stationary solution.



HDS 17/20 De Tr1

- Automatic speed reduction
- With cleaning agent dosing
- Servo Control: infinitely variable water and pressure volume regulation direct from the trigger gun

Technical data

Order no.	1.524-952.2	
Drive type	Diesel	
Motor manufacturer	Yanmar	
Engine rating	kW / hp	19 / 26 / 19 / 26
Flow rate	l/h	900 - 1700
Pressure	bar / MPa	60 - 200 / 6 - 20
Diesel consumption, full load	kg/h	11.8
Number of simultaneous users	1 / 2	
Portability	Trailer	
Weight	kg	950
Dimensions (L x W x H)	mm	3646 × 1747 × 1735

Equipment

Spray gun	EASY!Force Advanced	
High-pressure hose	m	30
Spray lance	mm	1050
Power nozzle	■	
Servo control	■	

■ Included in the scope of supply.

HDS 17/20 DE TR1

1.524-952.2

KÄRCHER



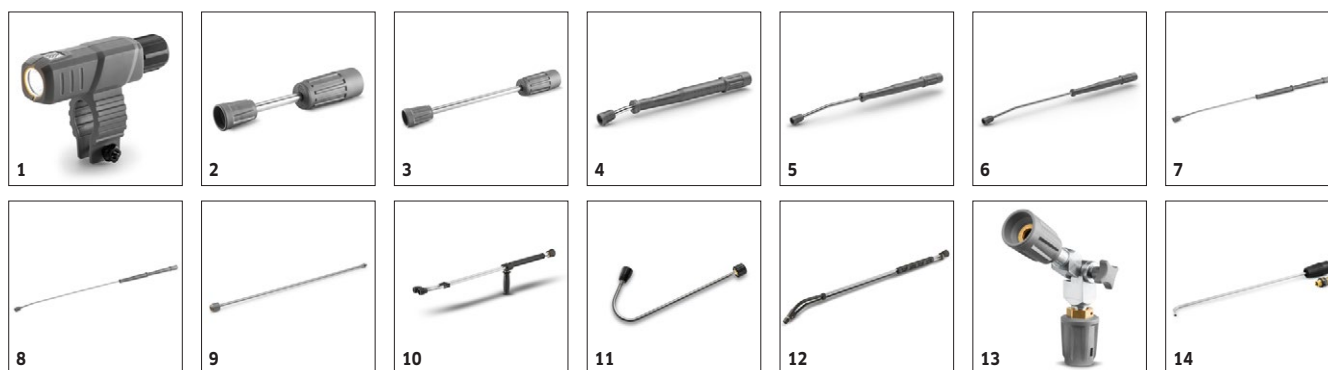
		Order no.	Flow rate				Price	Description		
Spray guns										
EASY!Force Advanced	1	4.118-005.0						Effortless, not energy-sapping: the EASY!Force high-pressure gun uses the recoil force of the high-pressure jet to reduce the holding force for the operator to zero.	<input type="checkbox"/>	
EASY!Force conversion kit 1 - from high-pressure hose	2	4.111-050.0						For retrofitting Kärcher high-pressure cleaners with existing high-pressure hose: EASY!Force conversion kit 1 with EASY!Force high-pressure gun, spray lance and all adapters through to the nozzle.	<input type="checkbox"/>	
EASY!Force conversion kit 2 - from machine	3	4.111-051.0						Developed for retrofitting existing high-pressure cleaners from Kärcher: EASY!Force conversion kit 2 with EASY!Force high-pressure gun, spray lance, high-pressure hose and necessary adapters.	<input type="checkbox"/>	
EASY!Force conversion kit 3 - high-pressure gun	4	4.111-052.0						Compatible with existing high-pressure hose and spray lance: EASY!Force conversion kit 3, incl. EASY!Force trigger gun and all necessary adapters for upgrading your high-pressure cleaner.	<input type="checkbox"/>	
Servo control										
Servo Control	5	4.118-009.0	1100 l/h					Water quantity and pressure regulated directly from the hand spray gun.	<input type="checkbox"/>	
Quick connect										
Quick coupling	6	2.115-000.0						For fast changes between different spray lances/accessories. Perfect for Kärcher spray unit, suitable for trigger gun/spray lance interface. With M 22 x 1.5 internal thread.	<input type="checkbox"/>	
Male coupling	7	2.115-001.0						Hardened stainless steel male coupling for quick coupling 2.115-000. With M 22 x 1.5 external thread.	<input type="checkbox"/>	

Available accessories.

HDS 17/20 DE TR1

1.524-952.2

KÄRCHER



		Order no.	Max. working pressure	Length		Price	Description	
Rotating spray lances								
LED nozzle light	1	2.680-002.0					Bright, lightweight LED work light for direct mounting on spray lance of EASY!Force high-pressure gun. Better view in unfavourable lighting conditions for up to 5 working hours.	<input type="checkbox"/>
Spray lance	2	4.112-027.0	300 bar	250 mm			Spray lance, 250 mm, rotatable, ergonomic	<input type="checkbox"/>
	3	4.112-024.0	300 bar	400 mm			Spray lance, 400 mm, rotatable, ergonomic	<input type="checkbox"/>
	4	4.112-007.0	300 bar	600 mm			600 mm stainless steel lance (manual coupling) with ergonomic handle for ease of use and protection. Rotatable 360° under pressure.	<input type="checkbox"/>
	5	4.112-006.0	300 bar	840 mm			850 mm stainless steel lance (manual coupling) with ergonomic handle for ease of use and protection. Rotatable 360° under pressure.	<input type="checkbox"/>
	6	4.112-000.0	300 bar	1050 mm			1050 mm stainless steel lance (manual coupling) with ergonomic handle for ease of use and protection. Rotatable 360° under pressure.	<input type="checkbox"/>
	7	4.112-018.0	300 bar	1550 mm			1550 mm stainless steel lance (manual coupling) with ergonomic handle for ease of use and protection. Rotatable 360° under pressure.	<input type="checkbox"/>
	8	4.112-021.0	300 bar	2050 mm			2050 mm stainless steel lance (manual coupling) with ergonomic handle for ease of use and protection. Rotatable 360° under pressure.	<input type="checkbox"/>
Spray lance extender	9	4.112-048.0	300 bar	1000 mm			Spray lance extension with EASY!Lock connection. Length 1000 mm.	<input type="checkbox"/>
Double lance								
Double lance	10	2.112-016.0	310 bar	960 mm			960 mm double lance for variable pressure adjustment on handle at full water flow rate. Suitable for agricultural use (e.g. stable cleaning).	<input type="checkbox"/>
Angular spray lance								
Spray lance for toilets and rain gutters	11	4.112-029.0					Stainless steel lance WC and gutter with nozzle insert. Specially shaped for effective and hygienic cleaning of gutters and toilets.	<input type="checkbox"/>
Flexible spray lance								
Flexible lance	12	4.112-035.0	210 bar	1050 mm			1050 mm flexible lance with variable bend from 20° to 140°, ideal for cleaning difficult to reach areas, e.g. gutters.	<input type="checkbox"/>
High pressure articulated joint	13	4.112-057.0	300 bar				For hard-to-reach areas: High-pressure articulated joint with infinite angle adjustment up to 120°. Simply attach directly to the spray lance of the pressure washer.	<input type="checkbox"/>
Gutter cleaner								
Gutter cleaning lance	14	2.112-015.0		960 mm			The lance is suited for cleaning of gutter systems. Because of the shape of the lance and the special nozzle the gutter can be cleaned without removing the cover plates.	<input type="checkbox"/>
Undercarriage spray lance								
Underbody lance	15	4.112-032.0		700 mm			Stainless steel lance for effective and easy underbody and wheel arch cleaning. Without high-pressure nozzle.	<input type="checkbox"/>
Additional handle								
Additional handle for EASY!Lock spray lances	16	4.321-380.0					Comfortable in every situation - the additional handle is easy to attach to the spray lance of our new EASY!Lock generation and makes work easier by allowing you to adjust your posture to suit the particular task. Regularly changing your posture relieves the strain on your body, making work more relaxed. Thanks to the 360°-rotatable spray lance, the additional handle can simply be fully rotated whilst working for greater flexibility.	<input type="checkbox"/>

Available accessories.

HDS 17/20 DE TR1

1.524-952.2



		Order no.	Max. working pressure	Nozzle size			Price	Description
Dirt blaster, large								
Dirt blaster	1	4.114-043.0	300 bar	90				Dirt blaster - rotating pencil jet - 10x cleaning power. Ceramic nozzle and bearing ring for long service life. Max. 300 bar/30 MPa, 85 °C <input type="checkbox"/>

Available accessories.

HDS 17/20 DE TR1

1.524-952.2



1-5

		Order no.	Nozzle size				Price	Description	
Power nozzle spray angle 15°									
Power nozzle	1	2.113-050.0	75					Fan jet nozzle with 15° spray angle suitable for stubborn dirt.	<input type="checkbox"/>
	2	2.113-052.0	100					Fan jet nozzle for stubborn dirt and stains.	<input type="checkbox"/>
Power nozzle spray angle 25°									
Power nozzle	3	2.113-071.0	32					Fan jet nozzle for large-area coverage and stubborn dirt and stains.	<input type="checkbox"/>
	4	2.113-016.0	90						<input type="checkbox"/>
Power nozzle spray angle 40°									
Power nozzle	5	2.113-069.0	90					Power nozzle with a 40° spray angle and fan jet, suitable for large areas and sensitive surfaces.	<input type="checkbox"/>

Available accessories.

HDS 17/20 DE TR1

1.524-952.2

KÄRCHER



	Order no.	ID	Max. working pressure	Length	Price	Description	
Standard with unions on both sides							
High-pressure hose	1	6.110-042.0	DN 10	220 bar	15 m	Equipped with innovative EASY!Lock manual screw fitting and suitable for pressures up to 220 bar: 15 m long high-pressure hose (DN 10).	<input type="checkbox"/>
	2	6.110-043.0	DN 10	220 bar	20 m	20 m in length and the extremely time-saving and comfortable EASY!Lock manual screw fitting on both sides are some of the main features of this high-pressure hose (DN 10).	<input type="checkbox"/>
	3	6.110-044.0	DN 10	220 bar	25 m	Impressive values and basic equipment: 25 m long high-pressure hose (DN 10) developed for pressures up to 220 bar.	<input type="checkbox"/>
	4	6.110-045.0	DN 10	220 bar	40 m	40 m long high-pressure hose with EASY!Lock system for the time-saving manual screw connection (both sides). Nominal size (DN) 10, working pressure up to 220 bar.	<input type="checkbox"/>
	5	6.110-059.0	DN 12	210 bar	15 m	Designed for working pressures up to 250 bar: High-pressure hose (DN 12) with a length of 15 m. Has the comfortable EASY!Lock manual screw fitting on both sides.	<input type="checkbox"/>
	6	6.110-060.0	DN 12	210 bar	40 m	With EASY!Lock manual screw fitting and lots of room for manoeuvre thanks to 40 m in length: High-pressure hose (DN 12) with EASY!Lock manual screw fitting on both sides. Suitable for working pressures up to 250 bar.	<input type="checkbox"/>
	7	6.110-041.0	DN 10	220 bar	10 m	Impressive values and basic equipment: 25 m long high-pressure hose (DN 10) developed for pressures up to 220 bar.	<input type="checkbox"/>
Longlife 400 with unions on both sides							
High-pressure hose Longlife	8	6.110-027.0	DN 8	400 bar	20 m	High-pressure hose with ANTI!Twist, EASY!Lock manual screw fittings and double steel core. 20 m long, nominal size DN 8, EASY!Lock manual screw fitting on both sides.	<input type="checkbox"/>
Longlife food design with screw connections at both ends							
High-pressure hose food grade Longlife	9	6.110-053.0	DN 8	400 bar	10 m	With blue, non-marking and animal fat resistant outer covering: durable high-pressure hose (ID 8), 10 m long, ANTI!Twist and EASY!Lock hand screw connection at both ends.	<input type="checkbox"/>
Special hoses							
High-pressure hose curved	10	6.110-068.0	DN 8	400 bar	1.5 m	For connection to hose reels: high-pressure hose, with M 22 × 1.5 connection and curved EASY!Lock hand screw connection. 1.5 m long, suitable for up to 400 bar working pressure.	<input type="checkbox"/>

Available accessories.

HDS 17/20 DE TR1

1.524-952.2

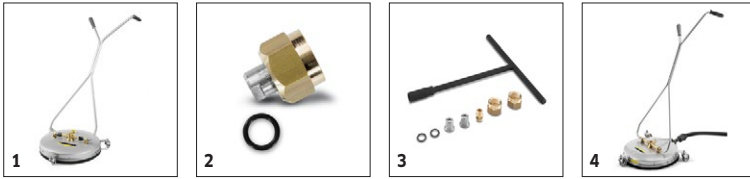


		Order no.	Max. working pressure	Nozzle size	Diameter		Price	Description
Pipe cleaning hose, ID 6								
Pipe cleaning hose, ID 6, 10 m, max. 250 bar	1	6.110-046.0	250 bar					The 10 m pipe cleaning hose is a highly flexible high pressure hose for pipe interior cleaning (threaded connection for nozzle R 1/8). <input type="checkbox"/>
Pipe cleaning hose, ID 6, 20 m, max. 250 bar	2	6.110-008.0	250 bar					The 20 m pipe cleaning hose is a highly flexible high pressure hose for pipe interior cleaning (threaded connection for nozzle R 1/8). <input type="checkbox"/>
Pipe cleaning hose, ID 6, 30 m, max. 250 bar	3	6.110-047.0	250 bar					The 30 m pipe cleaning hose is a highly flexible high pressure hose for pipe interior cleaning (threaded connection for nozzle R 1/8). <input type="checkbox"/>
Pipe cleaning nozzle								
Pipe cleaning dirt blaster D21/090	4	4.765-003.0		90	21 mm			The forward-tilted rotating pencil jet removes the most stubborn dirt. The three backwards-tilted jets ensure the necessary forward movement, as well as convenient handling. <input type="checkbox"/>
Pipe cleaning dirt blaster D30/090	5	4.765-010.0		90	30 mm			
Pipe cleaning nozzle 100	6	5.763-088.0		100	24 mm			Pipe cleaning nozzle with 24 mm diameter. With 4 nozzles tilted back at a 30° angle. <input type="checkbox"/>
Drum and tank cleaning								
Add-on kit mud sucker	7	2.641-798.0						For connection to the high-pressure hose of Kärcher high-pressure cleaners: Powerful sludge suction cleaner for the retrofitting of high-pressure cleaners to dirt pumps. <input type="checkbox"/>

Available accessories.

HDS 17/20 DE TR1

1.524-952.2



		Order no.	Flow rate	Nozzle size	Diame-ter	Price	Description	
Hard Surface Cleaner FR 50								
Surface Cleaner FR 50 Me	1	2.111-023.0			500 mm		Hot water resistant stainless steel surface cleaner with 500 mm working width. Ideal for large areas. With double ceramic bearings, push handle, non-marking swivel castors and detergent dosing system.	<input type="checkbox"/>
Machine-specific nozzle kits for FR								
Nozzle kit for FR	2	2.640-781.0	1300 - 1800 l/h				Machine-specific nozzle kit Kärcher power nozzle for hard surface cleaners	<input type="checkbox"/>
Machine-specific nozzle kits for FRV								
Nozzle kit for FRV	3	2.643-769.0		100			Machine-specific nozzle kit Kärcher power nozzles and jet nozzle for FRV 30 and FRV 50.	<input type="checkbox"/>
Surface Cleaner FR 50 Me								
FRV 50 Me surface cleaner	4	2.111-024.0					Surface cleaning with automatic suction of the dirty water for very large surfaces - this means the FRV 50 Me. Hot water cleaning up to 85°C. The FRV 50 Me features a temperature-resistant 10 m polyurethane suction hose. Additional quality features are the non-marking steering rollers and double ceramic bearing. Machine-specific nozzle kit must be ordered separately. Max. 250 bar / 2000 l/h / 85°C.	<input type="checkbox"/>

Available accessories.

HDS 17/20 DE TR1

1.524-952.2



		Order no.	Length				Price	Description	
Automatic, self-winding hose reels for wall mounting									
Automatic plastic hose reel incl. high-pressure hose	1	2.639-257.0	15 m					Spring-mounted and ready-to-use automatic hose reel for wall mounting. Simplifies handling of the high-pressure hose, shortens set-up times and increases occupational safety.	<input type="checkbox"/>
Automatic hose reel, powder-coated steel / plastic	2	6.392-074.0	20 m					Automatic hose reel for 20 m high-pressure hose. The console is made from powder-coated steel, the drum is made from plastic.	<input type="checkbox"/>
Automatic stainless steel / synthetic material hose drum	3	6.392-083.0	20 m					Automatic hose reel for 20 m high-pressure hose. The console consists of stainless steel, the drum is made from plastic.	<input type="checkbox"/>
Automatic hose reel, coated	4	6.392-106.0	20 m					Automatic hose reel of durable plastic. Painted steel bracket. Suitable for 20 m high-pressure hose.	<input type="checkbox"/>
Hose reel, automatic, basalt grey-coated	5	6.392-105.0	20 m					Automatic hose reels provide the highest level of safety and convenience for winding and unwinding HP hoses. For example: order no. 6.110-011.0 (ID 8, 20 m, 315 bar) or order no. 6.110-028.0 (ID 8, 20 m, 400 bar Longlife).	<input type="checkbox"/>
Automatic hose reel, stainless steel, includes swivel holder	6	6.392-076.0	20 m					Automatic stainless steel hose reel. With swivel holder. Suitable for 20 m high-pressure hose.	<input type="checkbox"/>
Automatic stainless steel hose reel	7	6.392-442.0	40 m					Automatic hose reels provide the highest level of safety and convenience for winding and unwinding HP hoses. Compatible high-pressure hose, e.g. order no. 6.110-076.0 (ID 8, 40 m, 400 bar, 1x hose reel connection attachment kit).	<input type="checkbox"/>
Powder-coated swivel holder	8	2.639-931.0						Swivel holder for automatic hose reel wall mounting. For maximum action radius and flexibility of high-pressure hose. Rotatable 120°. Galvanised steel.	<input type="checkbox"/>
Stainless steel swivel holder	9	2.641-867.0						Swivelling wall bracket made of high-grade steel (for 2.641-866). This makes maximum flexibility and convenience possible when working with the HP hose.	<input type="checkbox"/>

Available accessories.

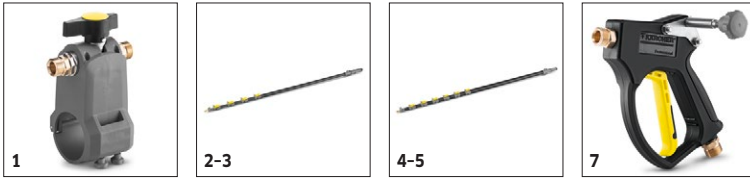
HDS 17/20 DE TR1

1.524-952.2

		Order no.	Flow rate	Length of the product	Length	Price	Description	
Telescopic lances								
<input type="checkbox"/> Available accessories.								

HDS 17/20 DE TR1 1.524-952.2

KÄRCHER



HDS 17/20 DE TR1

1.524-952.2



		Order no.	Nozzle size				Price	Description	
Wet blasting attachment (without nozzle)									
Wet blasting attachment with flow control (without nozzles)	1	4.115-000.0						Paint, rust and scale removal made easy: Kärcher wet blasting attachment with flow control for adding blasting abrasive to the high-pressure jet.	<input type="checkbox"/>
Wet blasting attachment without flow control (nozzles not included)	2	4.115-006.0						Paint, rust and scale removal made easy: Kärcher wet blasting attachment with flow control for adding blasting abrasive to the high-pressure jet. Without flow control.	<input type="checkbox"/>
Nozzle kits for wet jet unit									
Nozzle kit for wet jet unit 100	3	2.112-030.0	100					Consisting of wet jet nozzle and nozzle insert - only for use in combination with wet jet unit 4.115-000.0 4.115-006.0.	<input type="checkbox"/>
Boron carbide nozzle									
Boron carbide, for machines from 1,000 l/h	4	6.415-083.0	8 mm					In addition to nozzle packs. Very wear-resistant nozzle with boron carbide chuck for continuous-duty operation.	<input type="checkbox"/>

Available accessories.

HDS 17/20 DE TR1

1.524-952.2



		Order no.					Price	Description	
Suction filter									
Water suction filter	1	6.414-956.0						Suitable for ponds, storage tanks or similar, polyamide filter casing, stainless steel strainer, 800 µm mesh, R 3/4" and R 1" connection, without non-return valve	<input type="checkbox"/>
Suction filter with check valve	2	4.730-012.0						Brass suction filter suitable for ponds, storage tanks, etc. With check valve.	<input type="checkbox"/>
Water fine filter									
Universal water fine filter, 25 µm	3	2.637-020.0						Water fine filter, mesh size 25 µm, max. temperature 50 °C. Protects the machine from small dirt particles in the water. Water volume up to 1200 l/h. 3/4" connection, with 1" adapter.	<input type="checkbox"/>
Water fine filter, with adapter	4	4.730-102.0						Fine-mesh water filter, 125 µm, max. temperature 50°C. Protects the high-pressure cleaner from dirt particles contained in the water. Water flow rate up to 1200 l/h. Connection 3/4", with adapter, 1".	<input type="checkbox"/>
Backflow check valve									
Backflow preventer	5	2.641-374.0						To prevent detergent getting into the drinking water cycle in case of inlet at low-pressure. - hot water resistant up to 80 °C - tested according to IEC 60335-2-79 - integrated leakage protection	<input type="checkbox"/>
Other HP Accessories									
Jet gun	6	2.869-067.0						Short set-up time, easy transport, instant switch off - the jet gun is the affordable cleaning method for all kinds of small to medium-sized areas. Adjustable pressure/water volume.	<input type="checkbox"/>

Available accessories.

HDS 17/20 DE TR1

1.524-952.2



		Order no.	Flow rate				Price	Description	
Push-on washing brush									
Push-on wash brush	1	4.113-001.0						For general-purpose cleaning of all surfaces. Clamps directly onto the spray lance. Connection M 18 x 1.5	<input type="checkbox"/>
Rotating washing brush									
Rotating wash brush for > 800 l/h machines, nylon bristles	2	4.113-002.0	800 - 1300 l/h					Driven by water stream. Gently removes fine dust and traffic film from any surface. Temperature resistant up to 60°C, M 18 x 1.5 (replaceable brush insert).	<input type="checkbox"/>
Rotating wash brush for > 800 l/h machines, natural bristles	3	4.113-005.0	800 - 1300 l/h						<input type="checkbox"/>

Available accessories.